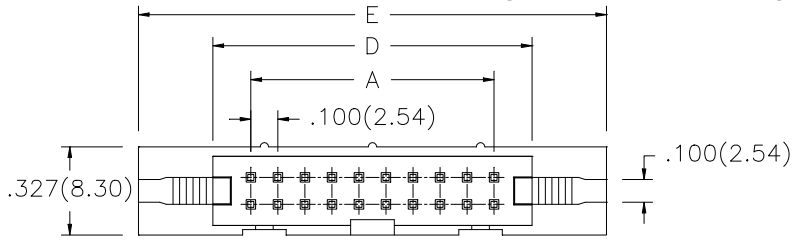


SUNRIDGE

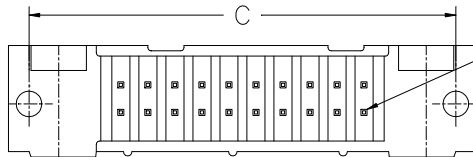
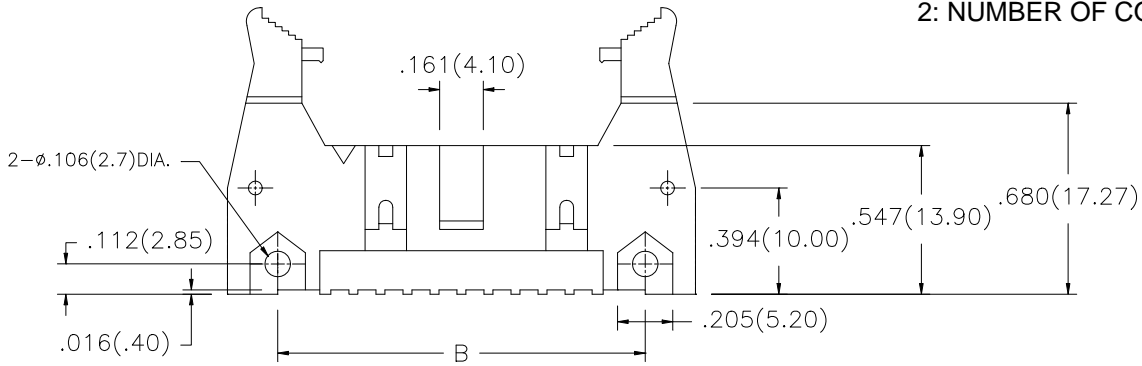
74005-1 SERIES PINLESS HEADER (HOUSING ONLY)



P/N DESIGNATION

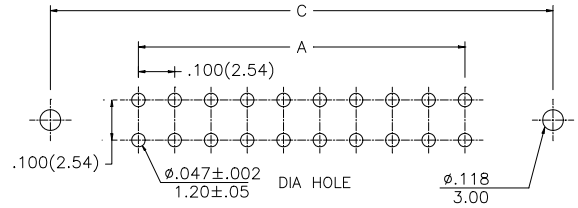
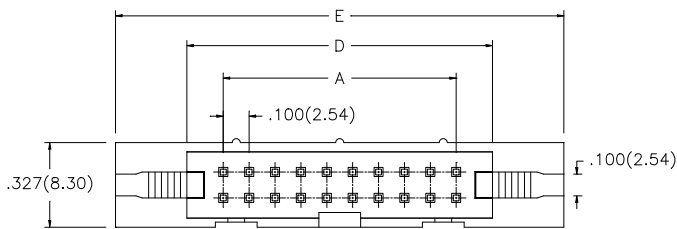
74005-1
 1 2

1: LATCH OPTION
 2: NUMBER OF CONTACT



To press fit to .025"(.79MM) square pins
 of .100"(.254MM) spacing

74005-2 SERIES (VERTICAL MOUNT HEADER)



RECOMMENDED PCB LAYOUT

